

NEW MITUTOYO AOS - DRO SYSTEM KA COUNTER WITH AT - 715 MAGNETIC SCALES

SERIES:

KA Counter

- Selectable Resolutions (.00005, .0001, .0002, .0005") allows choice according to the tolerance requirements of the work being performed
- Bolt Circle Calculation (eliminates need to use trigonometry to calculate hole positions)
- Diameter Mode (doubles reading on cross axis of lathe)
- Tool Offsets (stores datum points for 10 tools which eliminates need to re-zero after tool changes)
- Connectable with AT-715 Magnetic scales or AT-100 series Glass scales (allows use of magnetic and/or glass scales for different applications)
- RS-232 Output (optional) allows data capture and storage on remote computer
- Touch Probe (optional) allows automatic edge detection for zeroing part



AT-715 Magnetic Scales



- Fully submersible in coolant (coolant never effects scale position reading)
- +/- .00012" accuracy over ft./12 in.
- True Absolute (no battery backup - means position information is never lost, even after power interruption)
- Shock Resistant
- Reader Head mounted on saddle guide for easy installation (alignment not as critical)

ABS AOS DRO Linear Scale System

SPECIFICATIONS

AT715 Linear scale

Detection system	Electromagnetic induction system (3 tracks, absolute AOS)	
Resolution	0.005 mm / 0.002 mm / 0.001 mm (Changeable by parameter setting) .0005 inch / .0002 inch / .0001 inch / .00005 inch (Changeable by parameter setting)	
Dimensions	Height	1.43" / 36.5mm
	Width	.87" / 22mm
	Length	varies according to travel length specified/ordered
Effective range	3.94" x 70.87"/100 ~ 1800 mm	
Signal output	Mitutoyo original Serial format (can not connect to KL, KLL, KS, KC Counter)	
Accuracy	(7 + 13L / 1000)um [L : Effective range (mm)]	
Maximum response speed	50 m / min.	
CE marking	Corresponding to the regulations	

KA-Counter

Resolution	0.005 mm / 0.002 mm / 0.001 mm (Changeable by parameter setting) .0005 inch / .0002 inch / .0001 inch / .00005 inch (Changeable by parameter setting)
Readout	2-axis, 3-axis (Using 2-axis counter for 1-axis requirement.) (For lathes, using 3-axis counter with the parameter setting changed
Display	Seven segment LED / 7 digit, 1 digit for coordinate number
Main function	Zero setting, Preset, Low digit OFF, 10 coordinate position memory, Bolt-Hole-Circle, mm / inch conversion, Counting direction setting, Resolution setting (Parameter setting), Diameter display, 1/2 calculation, Smoothing display, Tool offsets (Parameter setting)
Input	Automatic discrimination of scale connected ABS AOS DRO scale (AT715 and AT100 series) 2Vpp sine wave
Output	RS-232C interface (Option)
CE marking	Corresponding to the regulations

MAGNETIC ABS - AOS - DRO PACKAGE FOR MILLING SYSTEM

USING KA COUNTER AND AT715 SCALES

2 Axis, KA Counter Milling System

Specify "Package" number when ordering.

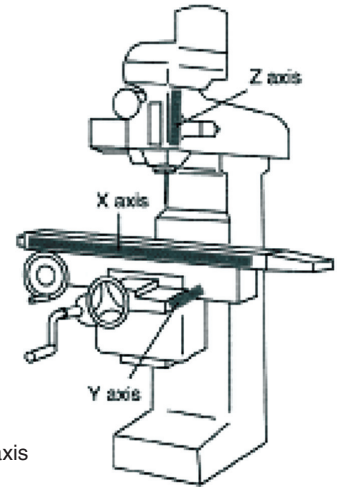
	Y Axis Travel			
	AT715-300 (12")	AT715-350 (14")	AT715-400 (16")	
	For Bridgeport #1	For Taiwan	For Lagun	For Taiwan
AT715-750 (30") Axis Travel	Package Number 174-173PM1	Package Number 174-173PM3	Package No.	Package No.
AT715-900 (36") Axis Travel	174-173PM2		174-173PM4	174-173PM5
AT715-1000 (40") Axis Travel		174-173PM6	174-173PM7	174-173PM8

Package Includes:

- KA Counter
- Brackets for Scales
- AT715 Linear Scales
- Display Arm Kit

Order No. 5720001

Price



3 Axis, KA Counter Milling System (Z axis length 6")

	Y Axis Travel			
	AT715-300 (12")	AT715-350 (14")	AT715-400 (16")	
	For Bridgeport #1	For Taiwan	For Lagun	For Taiwan
AT715-750 (30") Axis Travel	Package Number 174-175PM1	Package Number 174-175PM3	Package No.	Package No.
AT715-900 (36") Axis Travel	174-175PM2		174-175PM4	174-175PM5
AT715-1000 (40") Axis Travel		174-175PM6	174-175PM7	174-175PM8

Package Includes:

- KA Counter
- Brackets for Scales
- AT715 Linear Scales/
AT715-150mm (6") for Z axis
- Display Arm Kit

Order No. 5720002

Price

AT100 SERIES - GLASS SCALE UNITS

FEATURES

1. Low-priced model AT115

The low-priced version of Mitutoyo Linear Scale AT115 series are available. The mounting dimensions of all the AT115 models are the same as those of the AT111 series.

Most suitable for mounting on a milling machine or an XY table.

2. Joint structure of detector

The ball joint structure is employed at the joint of the detector head and the slider (sensor unit) inside the scale. This structure prevents the slider movement from deviating from the normal moving directions when the detector head shifts to right and left, thus providing a normal scale reading and increasing flexibility in the scale installation. In addition, this structure is highly rigid and therefore has an excellent durability.

3. Water-proof connector

A waterproof/splash-proof connector is used to enable separation of the signal cable. Thus, an installation and maintenance of the Linear Scale can be easily performed. (The signal cable in AT115 cannot be separated.)

4. Conduit armored type signal cable

A waterproof/splash-proof connector is used to enable separation of the signal cable. Thus, an installation and maintenance of the Linear Scale can be easily performed. (The signal cable in AT115 cannot be separated.)

5. Unique rubber-lip openings

The rubber-lip openings are shaped like the bottom of a ship that plows the water.

6. Excellent splash and dust-proof rubber lip structure

The rubber lips are made of a strong, special urethane and wires are inserted in these lips to improve the splash-proofing and dust-proofing of the scale. (AT102 only)

GLASS LINEAR SCALE PACKAGE FOR GRINDER SYSTEM

USING KA COUNTER AND AT115

2 Axis, KA Counter Grinder System

Specify "Package" number when ordering.

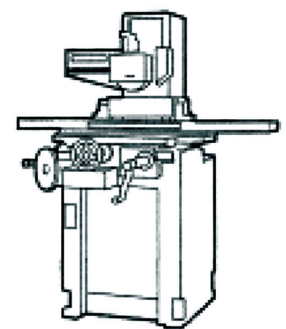
Vertical	Cross Side			
	AT115-150 (6")	AT115-200 (8")	AT115-250 (10")	AT115-300 (12")
AT115-300 (12")	Package Number 174-173PG1L	Package Number 174-173PG8L	Package Number	Package Number
AT115-350 (14")	174-173PG7L	174-173PG3L	174-173PG5L	
AT115-400 (16")		174-173PG4L	174-173PG13L	
AT115-450 (18")	174-173PG2L	174-173PG9L	174-173PG6L	174-173PG14L
AT115-500 (20")	174-173PG10L	174-173PG11L	174-173PG15L	
AT115-600 (24")	174-173PG12L	174-173PG16L		

Package Includes:

- KA Counter
- AT115 Glass Linear Scale / Magnetic Scale available at same price; please inquire
- Bracket Kits
- Display Arm Kit

Order No. 5720003

Price



LINEAR SCALE PACKAGES FOR LATHES

2 Axis, KA Counter Lathe System

Package Includes:

- KA Counter
- AT115, AT102 Glass Linear Scale and Extension Cable.
- Bracket Kits
- Counter Stand
- Counter Tray

Z Axis Travel	X Axis Travel		
	AT115-200 (8")	AT115-250 (10")	AT115-300 (12")
AT715-1000 (40")	Package Number 174-173PL3	Package Number 174-173PL4	-
AT715-1200 (48")		174-173PL6	-
AT715-1500 (60")		174-173PL7	174-173PL29

Z-Axis Travel	Order No.	Price
1000	5720004	
1200, 1500	5720005	

Specify "Package" number when ordering.

